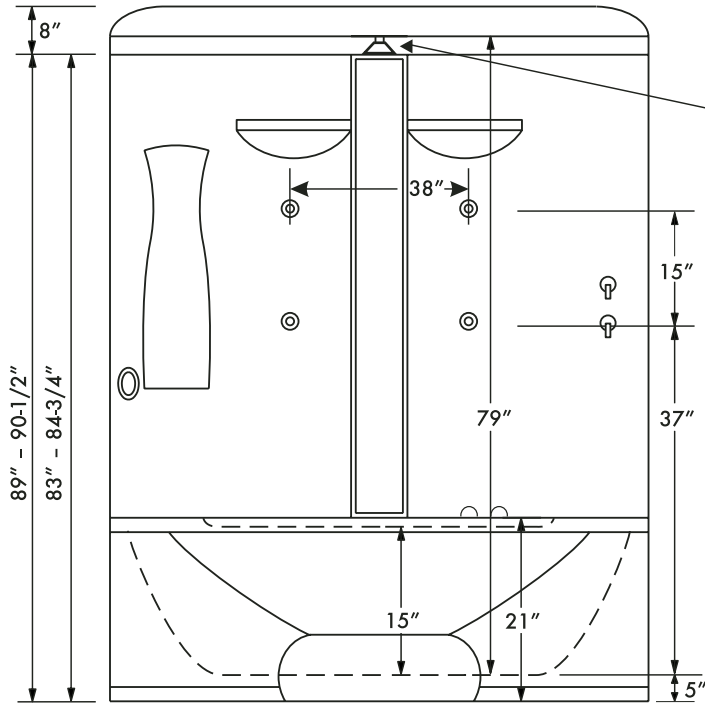


# TECHNICAL SPECIFICATIONS

## OASIS



Note: Rainhead shower head extends 2-5/8\"/>

**Legend**

	Shower head
	Water controls
	Body spray
	Steam head

- Hot and cold 3/4\"/>

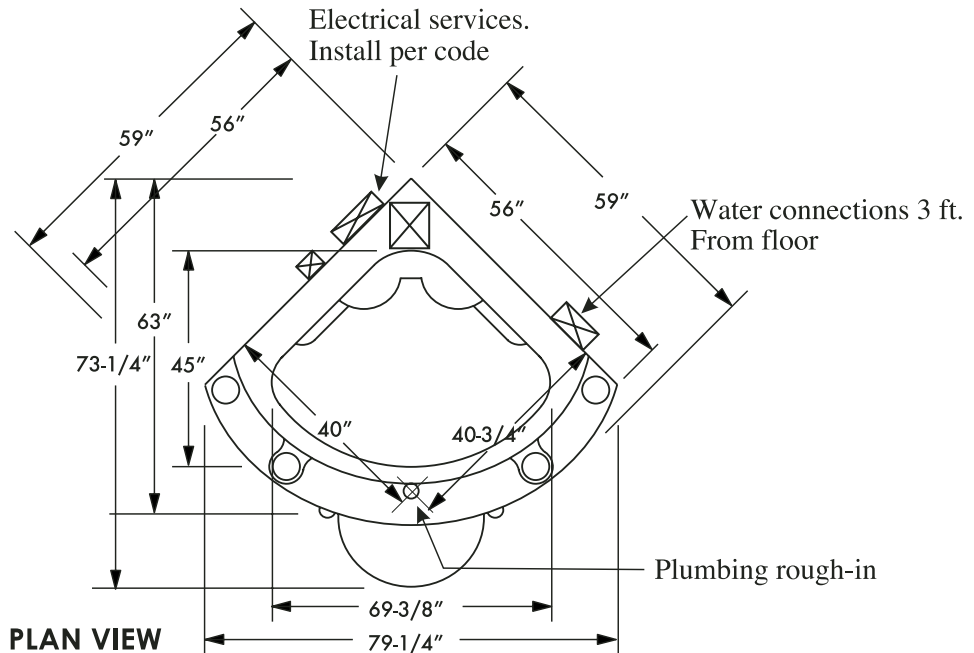
**Electrical Requirements for Tub-Shower Combination Units**

	Package "A"	"B"	"C"	"D"
110V, 15A Circuit	X			
220V, 50A Circuit		X	X	X

Note: Steam Generator Package requires dedicated 220V, 50A Circuit

Note: Range in measurement allows for foot adjustment.

**FRONT VIEW**



**Legend**

	Water pump
--	------------

**PLAN VIEW**

Indulge yourself.™